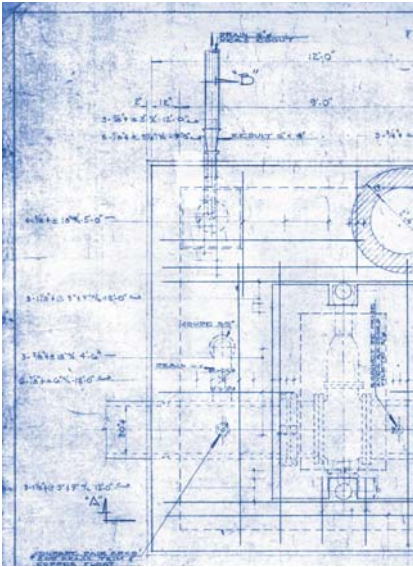




cost effective solutions

2D Paper to 2D Electronic

2D Paper to 3D Modelling



Despite the continual advances in CAD software, the two dimensional drawing remains a very cost effective, simple method for conveying engineering information.

Recognising that many clients still require detailed drawings, REP support clients by delivering: 2D detailing, paper to electronic conversions, the migration of 2D drawings to 3D models, and basic mechanical designs.

REP work with schematics, sections and single plan layouts. REP have design engineers working on aerospace, automotive, ship building, HVAC, piping and petrochemical programs.

Additional Specialist Services

In specific areas such as HVAC and piping REP can create schematics and routing as well as bill of materials, isometrics and initial calculations. All schematics and routing will conform to the specifications / requirements laid down by the customer. REP also offer the same area of expertise in electric cabling.

Sheetmetal design work is an area where REP are able to convert your 2D paper drawings into 2D CAD designs. We can also create lofted views, thus allowing you to know the exact size of raw material required and helping you to gain the maximum usage from your sheetmetal sheet.

Further specialist services include:

- CAD libraries starting from technical sheets or catalogues, according to the client principles
- Technical documentation for various main-fields
- Technical translations
- White papers: maintenance manuals, fitting principles, catalogues

CAD requirements can be managed remotely on a fixed price or hourly rate basis.

REP also provide services for PLM, CAD, DMU, Project Management & Contractor Supply

Software

REP currently support numerous software programs to facilitate our various clients work including:

- CATIA V4 & V5
- SolidEdge
- UG NX
- Solidworks
- AutoCad
- ProENGINEER



Contact us:

Teme House
Whittington Hall
Worcester
WR5 2RY
United Kingdom

Tel: +44 (0)845 375 2510
Email: REP@resourcegroup.co.uk
Web: www.resourcegroup.co.uk/rep



Resource Engineering Projects is a division of
Resource Group



cost effective solutions

Aerospace

Ship Building

Automotive

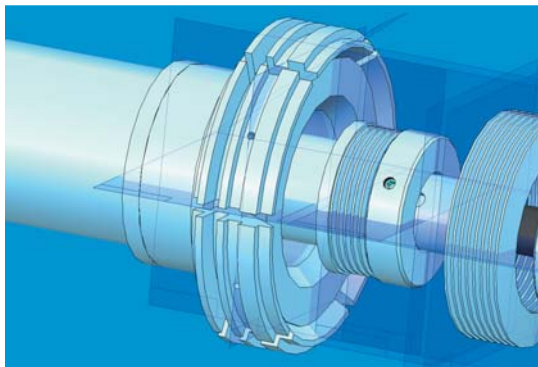
Petrochemical

Resource Engineering Projects (REP) CAD/CAM / DMU division provides engineering support for programs, offering bespoke rapid response support to engineering sectors.

We recognise that businesses today operate with shorter lead times and tighter deadlines. REP can support your additional capacity requirements by providing a flexible solution.

REP works with clients to provide CAD services as an extension of their business, working as an integral part of the client organisation to deliver a right first time, hassle free result.

With the experience and expertise of our engineers, REP provides on and off site support by adding an individual to an existing team or managing a fixed price project in our facilities, the choice is yours.



Services

REP offer a full range of services including 2D to 3D conversions, 2D paper drawings to 3D modelling and even 3D to 3D from one software format to another. These services are offered across the aerospace, shipbuilding and automotive sectors, from basic mechanical models to bespoke VIP aircraft interiors and complex aero engine components.

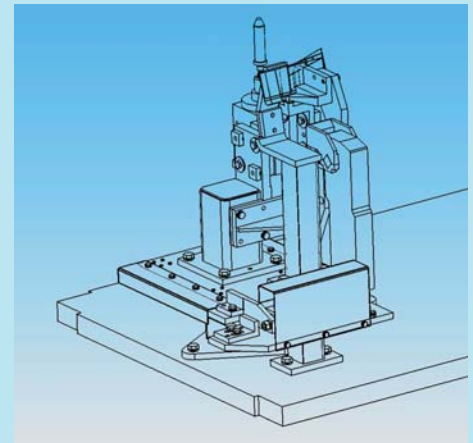
REP also have expert knowledge in HVAC for the petrochemical and shipbuilding industries performing 3D network routings of pipe work for power plants, routing for HVAC and electrical services including the bill of materials, as well as 3D libraries for catalogues across all sectors.

REP also provide services for PLM, CAD, DMU, Project Management & Contractor Supply

Software

REP currently support numerous software programs to facilitate our various clients work including:

- CATIA V4 & V5
- SolidEdge
- UG NX
- Solidworks
- AutoCad
- ProENGINEER



Contact us:

Teme House
Whittington Hall
Worcester
WR5 2RY
United Kingdom

Tel: +44 (0)845 375 2510
Email: REP@resourcegroup.co.uk
Web: www.resourcegroup.co.uk/rep



Resource Engineering Projects is a division of
Resource Group